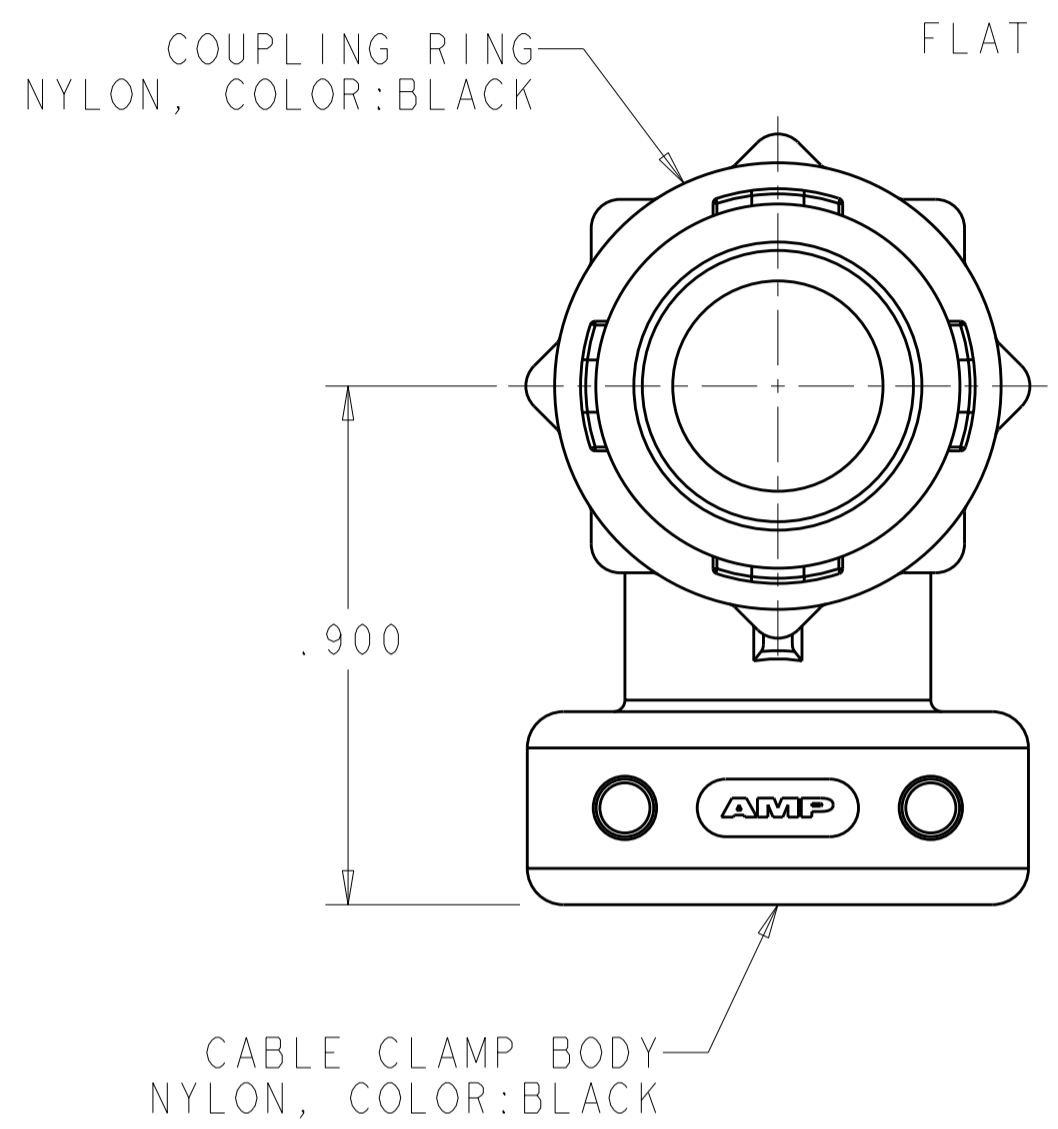


THIS DRAWING IS UNPUBLISHED. RELEASED FOR PUBLICATION
 © COPYRIGHT 20 BY TYCO ELECTRONICS CORPORATION. ALL RIGHTS RESERVED.

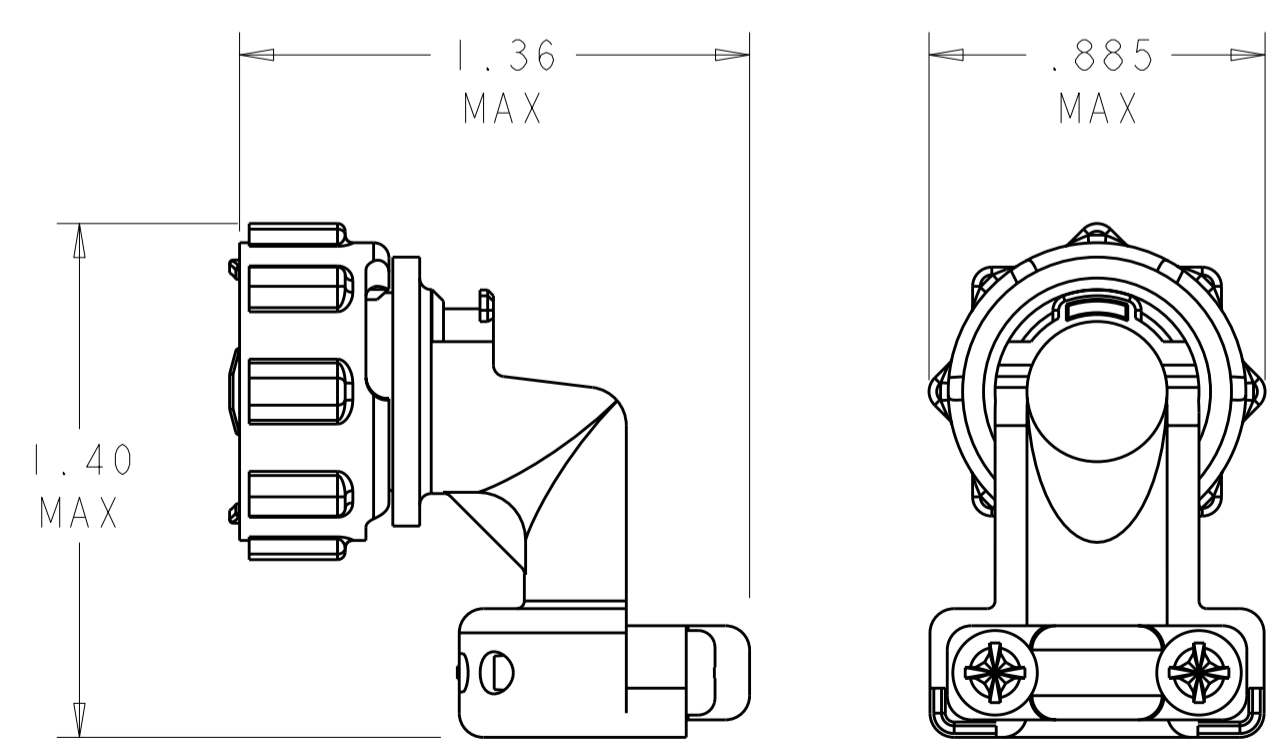
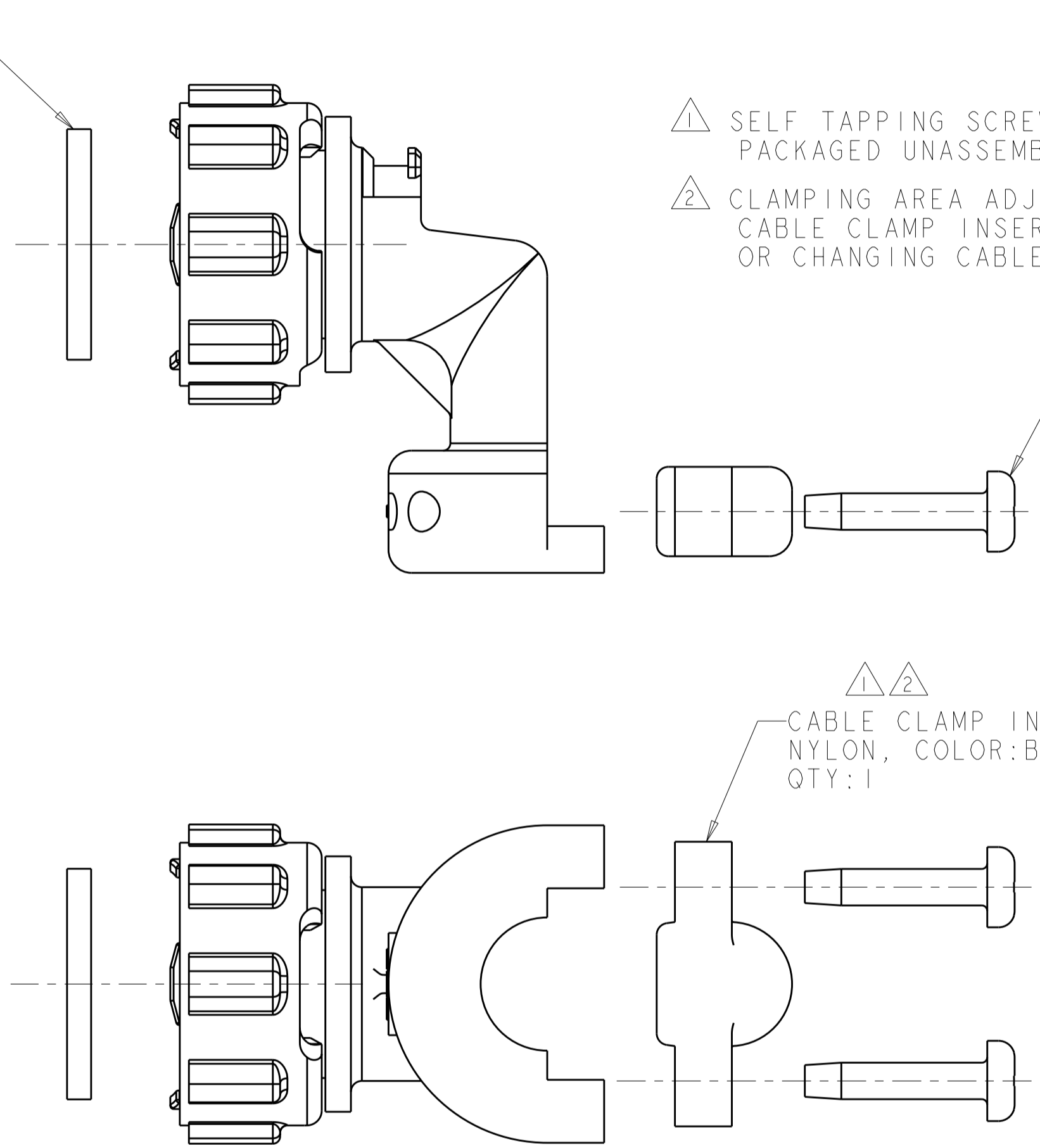
LOC	DIST	REVISIONS			
P	LTR	DESCRIPTION	DATE	DWN	APVD
FT	0				
	D	REVISED PER ECO-08-029125	21NOV2008	HMR	MS



- 1 SELF TAPPING SCREWS AND CABLE CLAMP INSERTS PACKAGED UNASSEMBLED.
- 2 CLAMPING AREA ADJUSTABLE TO .329 O.D. MAX CABLE. CABLE CLAMP INSERTS CAN BE ADJUSTED BY INVERTING OR CHANGING CABLE CLAMP INSERT.

1 5-20 SELF TAPPING SCREW
 MATERIAL: STEEL
 QTY: 2
 LENGTH: .50^{+.00}_{-.05}

1 2 CABLE CLAMP INSERT
 NYLON, COLOR:BLACK
 QTY: 1



ASSEMBLED VIEW
 SCALE 2:1

796379-2
 796379-1
 PART NUMBER

<small>THIS DRAWING IS A CONTROLLED DOCUMENT FOR TYCO ELECTRONICS CORPORATION IT IS SUBJECT TO CHANGE AND THE CONTROLLING ENGINEERING ORGANIZATION SHOULD BE CONTACTED FOR THE LATEST REVISION.</small>		DWN S.WELDON 11FEB2000 CHK M.CHACKO 11FEB2000 APVD M.CHACKO 11FEB2000	Tyco Electronics AMP Incorporated Harrisburg, PA 17105-3608
DIMENSIONS: INCHES 	TOLERANCES UNLESS OTHERWISE SPECIFIED: 0 PLC ± 1 PLC ± 2 PLC ± 3 PLC ±0.005 4 PLC ± ANGLES ± FINISH	PRODUCT SPEC APPLICATION SPEC WEIGHT CUSTOMER DRAWING	NAME CABLE CLAMP KIT, UNASSEMBLED, RIGHT ANGLE, SIZE 11, CPC SIZE A200779 CAGE CODE C-796379 DRAWING NO 796379-1 RESTRICTED TO SCALE 3:1 SHEET 1 OF 1 REV D